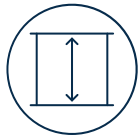




Hoardfast Flamescreen is a **quick-to-install, modular, internal screening system**. The white steel-faced fire-rated PIR foam filled panel is tested to **EN13501-1 B s2 d0** fire class rating. A range of panel heights are available. Panels can be installed floor-to-ceiling or free-standing using Westgate Global's unique universal support.



Fire Rated Panel



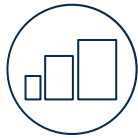
Floor-to-ceiling or Free-standing



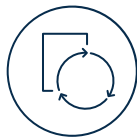
Express Delivery



Quick Modular Installation



Range of Panel Heights

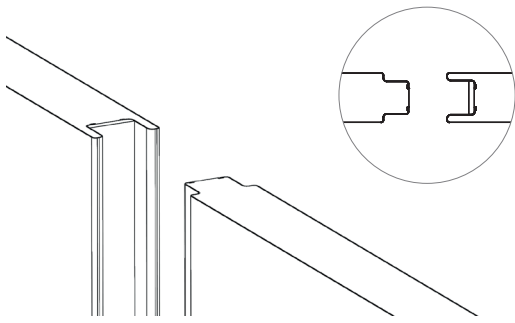


Reusable and Relocatable

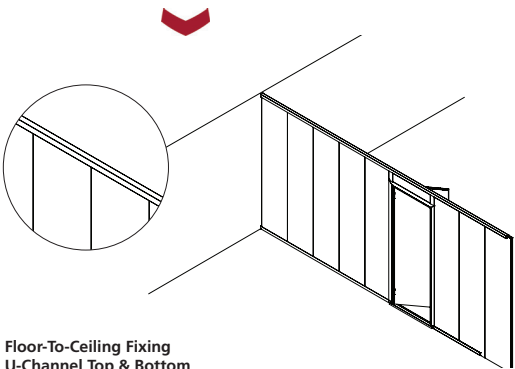
Features and Benefits

Modular ready to install system	<ul style="list-style-type: none"> • Quick, clean, easy installation saves time and money on site setup • Easy to configure as required
Panel tested to EN13501-1 B s2 d0	<ul style="list-style-type: none"> • Easily create an effective floor-to-ceiling fire retardant screen that is self-extinguishing • Foam produces minimal smoke in the event of coming in to contact with fire
Sustainable product that can be reused	<ul style="list-style-type: none"> • Install and demount the product multiple times giving medium and long-term savings • Reduces waste and environmental impact on construction projects
2.25m, 2.7m, 3.5m	<ul style="list-style-type: none"> • Create quick floor-to-ceiling or free-standing partitions • Configure as required
Express delivery service; fast and reliable from large UK stock	<ul style="list-style-type: none"> • Get items on site quickly to prevent delays
Easy fit single and double doors (with Digi lock)	<ul style="list-style-type: none"> • Create restricted access to construction sites or site offices and welfare spaces
Vision panels	<ul style="list-style-type: none"> • Allows visibility from one side to the other

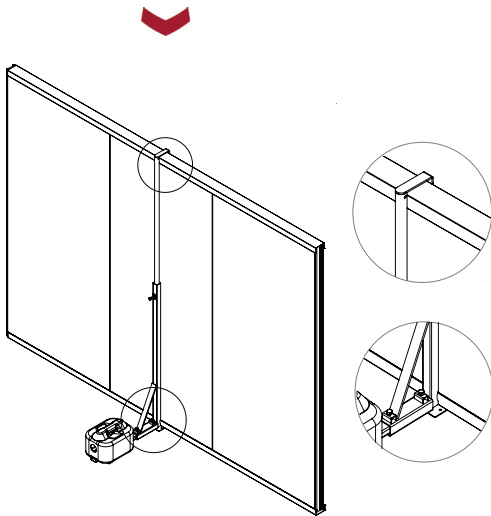
Installation



Panels join with a tongue and groove system. Corner posts and T-sections for perpendicular walls also available.



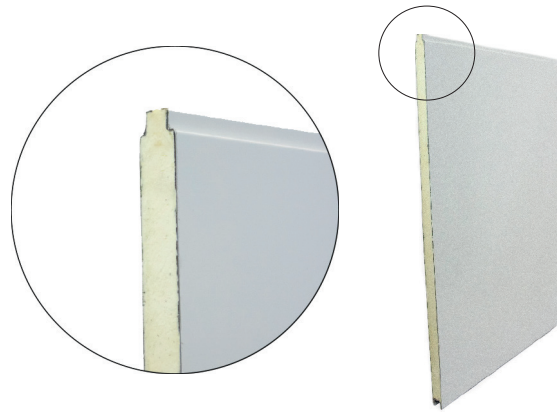
Floor-To-Ceiling Fixing
U-Channel Top & Bottom



Free-Standing
Universal Support

Flamescreen can be installed floor-to-ceiling using supplied u-channels or for a free-standing system choose our universal support, which can hold 1 - 6 16kg weights.

Flamescreen is a **lighter weight alternative to Firescreen** when a full 60 minute fire rated panel is not required. Panels available to purchase only, supports available to hire.



Technical Specifications

Material Composite	White steel faced fire-rated PIR foam filled
Panel Colour	RAL9010-Pure White
Connecting Method	Tongue and groove push fit
Panel Fire rating	Tested to EN13501-1 B s2 d0
Thermal Insulation (U-Value)	0.61 W/m ² K
Panel heights	2.25m, 2.7m, 3.5m
Panel width	1m
Panel thickness	30mm
Panel weight	9.4 kg/m ²
Support options	Floor-to-ceiling; supplied with u-channel fixing or free-standing; universal support

This fact sheet is for illustrative purposes only and based on the latest information at the time of print. Installation methods may vary depending on specific project requirements. Westgate Global reserve the right to make changes at any time without notice.

J222-WG-PFS-HF-FLS-050324 © Westgate Global Ltd