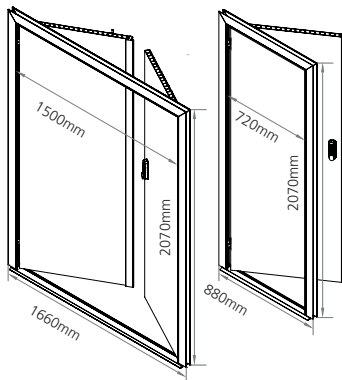




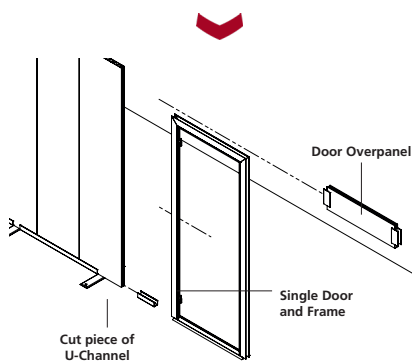
Standard Doors

Single and Double

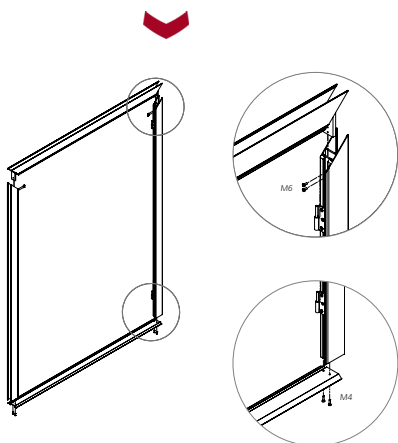
Installation



Double or single uPVC doors



Insert the door as shown above



Aluminium frames are bolted together at all four corners. Single doors supplied preassembled. Double doors supplied with self-tapping screws for easy self-assembly on site.

Features and Benefits

Lift-off hinge	<ul style="list-style-type: none"> Quick to install and easily demountable
Available with Digilock	<ul style="list-style-type: none"> Increase access security
Chamfered Threshold	<ul style="list-style-type: none"> Ensures ease of access i.e. trolleys etc
Double door is supplied with guide wheel	<ul style="list-style-type: none"> Maximum stability Robust, durable design
Aluminium frame	<ul style="list-style-type: none"> Contrast clearly distinguishes access
Clips into adjacent panels	<ul style="list-style-type: none"> Simple and easy to install No screws required

Technical Specifications

Panel material composite	85% recycled uPVC, 15% Virgin uPVC, grey hollow fluted internal and solid white ridged external face
Frame material	Aluminium
Standard height	2070mm
External width	880mm (single door) 1660mm (double door)
Internal width	720mm (single door) 1500mm (double door)
Panel thickness	35mm

This fact sheet is for illustrative purposes only and based on the latest information at the time of print. Installation methods may vary depending on specific project requirements. Westgate Global reserve the right to make changes at any time without notice.

J428-WSS-HF-DS-010323 © Westgate Global Ltd